



Application for
CERTIFICATE OF APPROPRIATENESS

CITY OF WHITTIER PLANNING DIVISION
13230 PENN STREET
WHITTIER, CALIFORNIA 90602-1772
PHONE (562) 567-9320 FAX (562) 567-2872
www.cityofwhittier.org

**This application is for all construction projects requiring review by the
Historic Resources Commission**

FILING INSTRUCTIONS

1. Complete the application form attached. In addition to the application form, several other items and exhibits must be submitted as part of your application. A checklist of these items, along with supplemental information follows the application form.
2. Submit your complete application package to the Planning Division, at the address shown in the title block above. An overview of the application process is included on the pages that follow. A flowchart is also included, showing the general stages through which your application will be evaluated.

Application Review Q&A

What happens after the application is submitted?

When you submit your application package, a staff planner will be assigned to your project. The planner will check your application for completeness. State Law allows cities 30 days to review applications for completeness. We will notify you in writing of any outstanding items.

After the application is deemed complete, what is the review procedure, and how long does it take?

Once staff deems your application complete, the application will be scheduled for public hearing before the Historic Resources Commission.

Your case planner will prepare a staff report, which will be available to you approximately four days prior to the hearing. Ten days prior to the hearing, Planning staff will mail out a public notice to the applicant and to owners of contiguous properties to inform them of the hearing.

An application processing flowchart is included on the next page, which outlines the review process, and includes approximate time frames for each stage.

What takes place at the hearing?

At the hearing, the Historic Resources Commission will consider the application, including the exhibits and the staff report. Your case planner will briefly summarize the staff report, after which there will be an opportunity for the applicant to address the Commission. There will also be an opportunity for any interested public to address the Commission. At the conclusion of the hearing, the Commission will take one of three actions: approve the application subject to any appropriate conditions, continue consideration of the application to a future date, or deny the application.

How does the Historic Resources Commission make its determination?

The Commission, in making its determination, must find that proposed alteration, restoration, relocation, or construction in whole or in part, will not:

- Detrimentially change, destroy, or adversely affect the historic character or value of the resource;
- Be incompatible with the exterior features of other improvements within the District; and,
- Adversely affect or detract from the character of the District.

When does the Historic Resources Commission?

The Historic Resources Commission meets the second Wednesday of each month at 7:00 p.m., in the Council Chamber of City Hall, on the second floor. The City Council meets the second and fourth Tuesday of every month, at 6:30 p.m., in the same location.

What about environmental review?

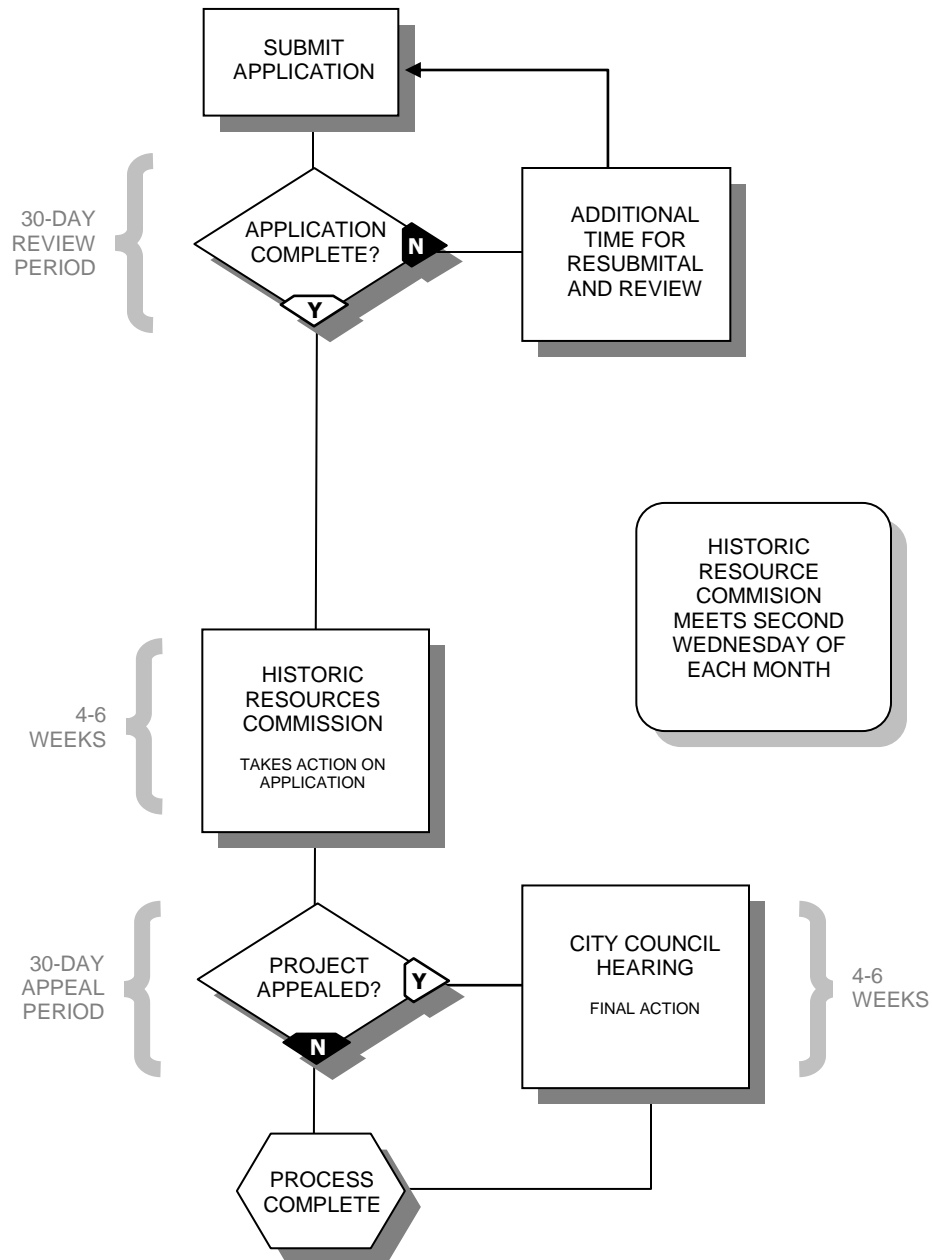
If your project requires environmental review under the California Environmental Quality Act (CEQA) additional time will be required for staff to prepare environmental documents, including an environmental initial study and public notices. The amount of time needed can vary considerably depending on the size and complexity of your project. Your staff planner will advise you if environmental review is required. Details of required submittals are found in the attached checklist.

Some background on environmental review

A state law known as the California Environmental Quality Act requires that all but minor development projects undergo a rigorous environmental review. The Environmental Initial Study discussed above is an outgrowth of this legislation, and provides a consistent framework in which to analyze impacts such as traffic generation, noise, air quality, odor, aesthetics, and historical significance.

OVERVIEW OF THE CERTIFICATE OF APPROPRIATENESS APPLICATION PROCESS

This general overview shows the basic steps of the Certificate of Appropriateness application process. Note that the time periods indicated are approximate, and can vary depending on staff case load and hearing scheduling constraints.





CITY OF WHITTIER

PLANNING DIVISION

13230 PENN STREET

WHITTIER, CALIFORNIA 90602-1772

PHONE (562)567-9320 FAX (562)567-2872

www.cityofwhittier.org

APPLICATION FOR
CERTIFICATE OF
APPROPRIATENESS

CASE NO: **HR-** _____


ASSOCIATED CASES: _____

1. PROJECT INFORMATION

PROJECT ADDRESS	HISTORIC NAME (IF APPLICABLE)	Year Built
LEGAL DESCRIPTION (I.E. LOT AND TRACT NUMBER)		
ASSESSOR'S PARCEL NUMBER		
BRIEFLY DESCRIBE THE PROJECT		

2. APPLICANT INFORMATION*

If the applicant is not the property owner, the owner must complete the **Owner's Affidavit in Section 3*

NAME (IF THE APPLICANT IS AN ORGANIZATION, PLEASE INCLUDE A CONTACT PERSON)	PHONE
STREET ADDRESS	FAX
CITY, STATE, ZIP	E-MAIL (OPTIONAL)
RELATIONSHIP OF APPLICANT TO PROJECT (ARCHITECT, CONSULTANT, ETC.)	APPLICANT'S SIGNATURE:  DATE: _____

3. OWNER'S AFFIDAVIT


This affidavit allows the applicant identified in the box above to act in the owner's stead. The Planning Division will assume that the applicant will represent the project at any required public hearings. Although the owner will receive notice of any public hearings, all project correspondence will be sent to the designated project applicant.

I/We, the owner of the subject property, hereby authorize _____ to:

APPLICANT'S NAME

Make application for Certificate of Appropriateness for the subject property and/or;

Act for me in my place and stead at any and all meetings connected with this application, and to take such action as deemed advisable in connection with this application.

Owner's Signature:  _____ Date: _____

(Owner agreements not acceptable in lieu of signature)

OWNER'S NAME	PHONE
STREET ADDRESS	FAX
CITY, STATE ZIP	

TO BE COMPLETED BY CITY STAFF

HISTORIC DISTRICT:

HADLEY / GREENLEAF

CENTRAL PARK

COLLEGE HILLS

EARLHAM

PROPERTY DESIGNATED?

YES NO

PROPERTY CONTRIBUTING?

YES NO NA

ISSUED BY: _____

RECEIVED BY: _____

DATE: _____

FEE: \$ _____ (ACT. PL 452)



CERTIFICATE OF APPROPRIATENESS Application Checklist

PLANNING DIVISION
13230 PENN STREET
WHITTIER, CALIFORNIA 90602-1772
PHONE (562)567-9320 FAX (562) 567-2872

Your application will require the checked items below. Some checklist items are further explained in the sidebar to the left. The sidebar also includes other notes and tips to ensure your application is as complete as possible.

IMPORTANT NOTES

- All required items must be included or accounted for when you submit your application
- Incomplete submittals will delay the review process
- Projects must be designed to preserve existing parkway trees. Parkway trees may only be removed in cases of disease or hazardous circumstances. For information, contact the Park Department at (562) 567-9420.

Applicant vs. Owner ◀

If you are not the owner of the property, be sure to complete the Owners Affidavit section of the application

Paper size vs. drawing size ◀

Please keep the drawings size proportionate to the paper size (i.e. do not submit 8" x 10" drawings on 24" x 36" sheets)

What is a site plan? ◀

A site plan is a scaled drawing showing the subject property from a bird's eye view. A sample site plan is included in this packet.

To the right is a list of all the elements you will need to include on your plan. In addition to this information, other exhibits, such as topographic maps and detail sheets may be required. Call the Planning Division if you're not sure if all these items are required.

As noted above, existing parkway trees must be preserved in place, unless a waiver from the Park Department is secured.

— **A. Application Form**

Fill out completely

— **B. Site Photographs**

Provide 4" x 6" minimum-size color photographs showing all sides of the property. Also include adjacent properties, and if required, the entire streetscape. Please do not mount the photographs.

— **C. Architectural Drawings**

Site **Elevation** **Floor** **Roof** **Landscape** plans, as follows (drawing and lettering must be clear and readable):

1. 11 full-size plan sets (11" x 17" min., 24" x 36" max.)
2. 1 reduced-size plan set (8½" x 11" or 8½" x 14")
3. 1 full-size, mounted set of elevations, colored

Site Plan must include:

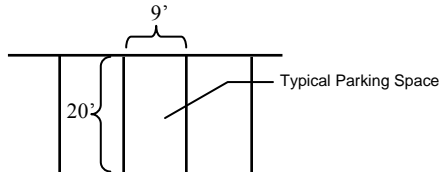
- A. Architect's name and contact information
- B. Project address
- C. North arrow (orient to top of sheet if possible)
- D. Graphic and fractional scales
- E. Date of drawings (including subsequent revisions)
- F. Property line dimensions
- G. Required setbacks for the zone
- H. Location and names of adjacent streets
- I. Public improvements within the parkway
- J. Structure location(s), dimensions and floor areas
- K. Setback dimensions
- L. Dimensioned driveway widths (include curb cuts)
- M. Parking configuration
- N. Curbs, sidewalks and walkways (if applicable, after dedication)
- O. Walls and fences, existing and proposed (include height)
- P. Ground-mounted equipment and screening
- Q. Exterior lighting
- R. Signs

Parking space tabulation ◀

Within the parking area layout, include the number of parking spaces in each parking row

Uniform parking space size ◀

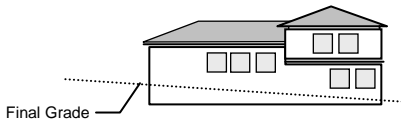
Indicate on the plan the typical parking spaces size (i.e. 9' x 20'). This is often done by dimensioning one of the parking spaces and labeling it "typical parking space"



Lot coverage is the square footage of all overhead structures on the site divided by the total lot area ◀

What are elevations? ◀

Elevations are dimensioned drawings of the structure as a person standing in front of it would see it. Elevations must accurately represent the final building product.



What is the purpose of a conceptual landscape plan? ◀

This plan is a site plan that gives a clear impression of how the landscaping for the development will look.

Project Tabulations, including:

Non-Residential:

- Net lot area
- Number of proposed structures on site and gross floor area
- Number of stories for each structure
- Parking spaces required, existing and proposed
- Area of landscaping (call out separately for parking area)
- Legal description

Residential:

- Net lot area
- Number of units and stories proposed
- Area for each unit, and number of bedrooms
- Number of parking spaces covered and uncovered—proposed, existing and required
- Area of private and common open spaces
- Legal description
- Lot coverage

Floor Plan must include:

- A. All Floors
- B. Room type and dimensions
- C. Balconies and decks, dimensioned
- D. Window size and type
- E. Door locations

Elevation Drawings must include:

- A. Must be drawn to show final grading
- B. Sections through areas of grade differentials
- C. Dimensioned drawings of all relevant elevations
- D. Dimensioned building height
- E. All architectural details intended for final construction, including wall-mounted lighting
- F. Front elevations of immediately adjacent structures
- G. Landscaping with approximately three years of growth
- H. Proposed signs (wall, projecting and freestanding)
- I. Roof pitch

Roof Plan must include:

- A. Location of HVAC units, if placed on the roof
- B. Screening of HVAC and other roof-top equipment

Conceptual Landscape Plan

Show the location, types and container sizes of all proposed plant materials, including trees, shrubs and groundcover. Also show existing trees to be removed, and indicate type and trunk diameter.

D. Colors and Materials Board

Submit one foam core or similar type board no larger than 18" x 24" with samples or accurate photographic representation of all proposed exterior materials and colors. On the board, include the project address and the designer's name and phone number. Identify the manufacturer and the item specification number of each sample.

___ E. **Environmental Assessment Form** (Complete if necessary)

___ F. **Environmental Fees**

Remit the following fees, if required:

- Environmental Initial Study (EIS) and Negative Declaration (ND) fee of **\$2,182***

**Planning Staff may hire an outside consultant to complete this study, in which case a deposit equal to 120% of the consultant's budget estimate will be required.*

- Two checks for **\$75** made out to the **Los Angeles County Recorder**

___ G. **Filing fee**

An application filing fee, as follows:

___ Certificate of Appropriateness \$1,218

Property radius map information ◀

Submit a map at a scale of 1" = 200' or 1" = 100', showing all of the lots within the boundaries of the Central Park Historic District.*

Number each of the lots consecutively and assign the number on each lot to the corresponding entry on the property owner's list (do not use assessor's parcel numbers for this purpose.) The attached sample map provides further instruction.

Property Owners List From the latest equalized assessment roll of the County Assessor, compile a typewritten list of the names and mailing addresses of the owners of all lots or parcels within the Central Park Historic District, as shown on the vicinity map. Using **Avery 5160 or equivalent labels**, arrange the entries so they are numbered consecutively, corresponding with the numbers of the lots on the vicinity map. The property owners list should include address labels for the applicant, owner, and anyone associated with the project who may require a public hearing notice. **(Note: Zip Codes must be included.)**

___ H. **Property Ownership Map - Central Park Historic District only**

If the property is located within the Central Park Historic District, the names and addresses of all property owners within the district must be submitted, as detailed in the sidebar, left. The names and addresses of the property owners must be from the latest equalized assessment roll of the County Assessor, and must be printed on labels according to the sample attached.

Properties in other districts only require noticing of abutting or immediately surrounding properties. For these applications, the City will produce the mailing labels.

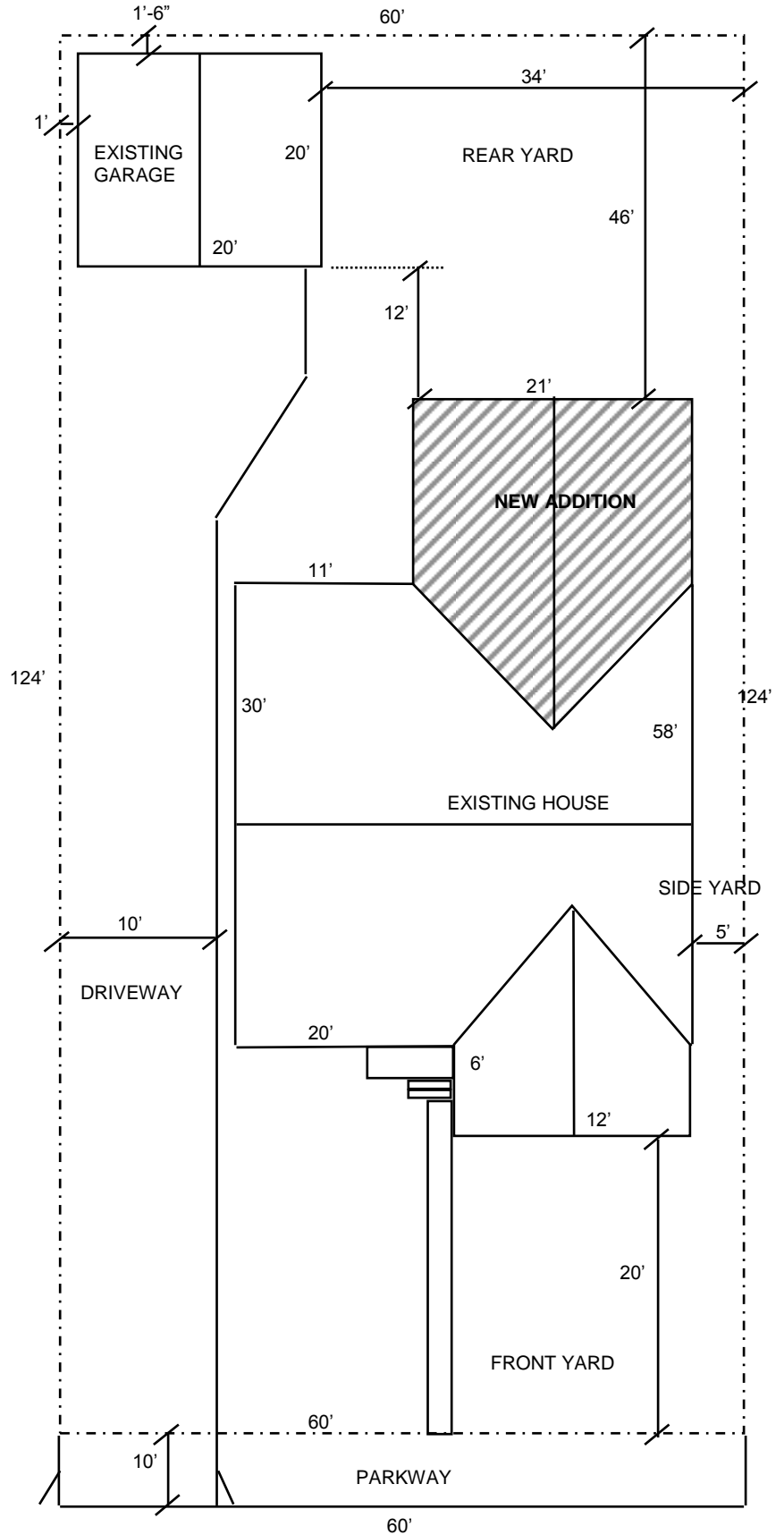
* Many companies provide this service for a reasonable cost. The Planning Department can provide you with a list of some firms which produce radius maps and ownership lists.



SAMPLE SITE PLAN

The Site Plan submitted for your home improvement project should show the following:

1. Location and dimensions of the lot lines
2. Location and size of all existing and proposed structures including front, side and rear setback dimensions, as well as structure dimensions
3. Location and width of driveway
4. The Site Plan should be drawn to scale and show a north arrow
5. The street address and name should be clearly indicated
6. The parkway width should be clearly indicated, and all public utilities should be shown
7. A floor plan and elevations may be required
8. All mechanical equipment (i.e. a/c units, water softeners, etc.) should be clearly indicated
9. Other information may be required as deemed necessary by the Planning Division
10. For additional information concerning the preparation of a Site Plan or requirements, or City Zoning Laws, please contact the Planning Division at (562)464-3420.



STREET NAME AND ADDRESS
Scale: 1/8 in. = 1 Foot

