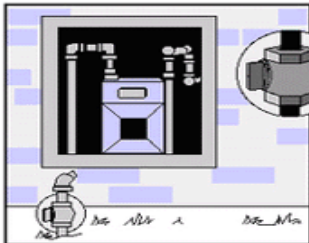




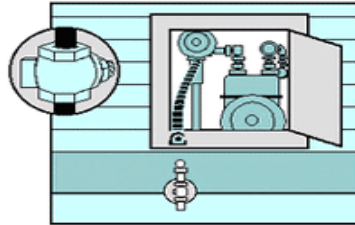
How to Shut Off Your Natural Gas in an Emergency

Step 1: Locate Your Natural Gas Meter

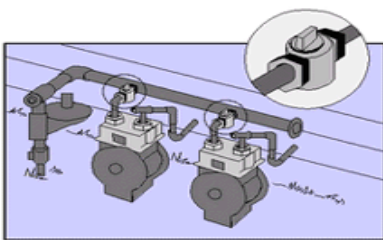
It's important to know exactly where your natural gas meter is so you can find it in case of an emergency. The following diagram shows four possible natural gas meter locations:



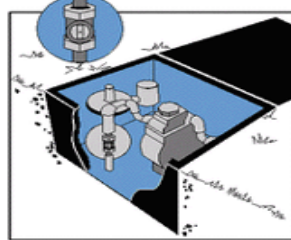
Under-the-house meter



Cabinet meter



Multiple meter



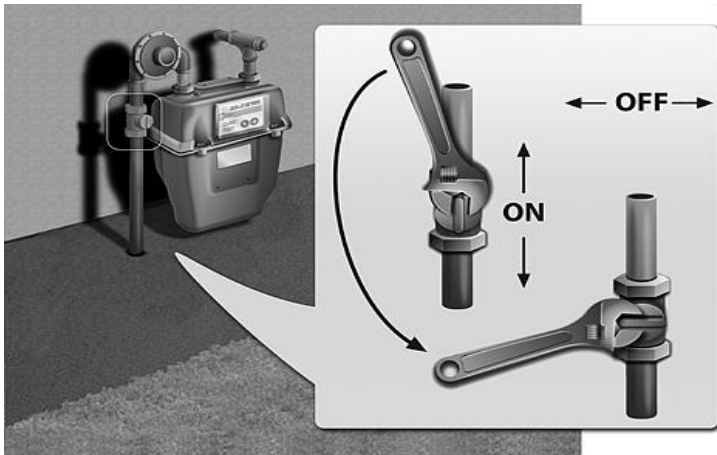
Underground meter

NOTE: *DO NOT* turn off your meter unless you smell natural gas, hear the sound of gas escaping or see other signs of a leak--and *ONLY* if it's safe to do so.

Step 2: Find the Natural Gas Shut-off Valve

As you face the meter, you'll see a pipe running from the ground to the meter. There is a shut-off valve running parallel with the pipe, usually located about 6 to 8 inches above the ground. Take a 12-inch or larger adjustable wrench, and turn the valve 1/4 turn in either direction, until the valve is crosswise to the pipe.

TIPS: *Keep a 12-inch or larger adjustable wrench with your emergency supplies, or next to your valve. Do not store the wrench on the meter or other natural gas piping or related equipment. Also consider installing an Automatic Earthquake Natural Gas Shut-off Valve. Contact SoCal Gas (800 427-2200) & Whittier Community Development Department/ Building & Safety (562 567-9320) for more information.*



CAUTION: If you turn off your natural gas at the meter, leave it off. *DO NOT* turn it back on yourself. Contact SoCal Gas to turn the meter back on and relight any pilots.